

### 技术数据:SPECIFICATIONS

| 型号        | 步距角            | 相数          | 电压          | 电流           | 电阻           | 减速比            | 空载运行频率                          | 空载起动频率                          | 起动转矩          | 锁定转矩          |
|-----------|----------------|-------------|-------------|--------------|--------------|----------------|---------------------------------|---------------------------------|---------------|---------------|
| Model     | Step Angle (°) | No.of phase | Voltage (V) | Current (mA) | Resistan (Ω) | Moderati Ratio | No-load pullout Frequency (pps) | No-load pullout Frequency (pps) | Pullin Torque | Detent Torque |
| OE24BYJ01 | 5.625/64       | 4           | 12          | 40           | 300          | 1/64           | 900                             | 550                             | 300           | 300           |
| OE35BYJ01 | 7.5/85.25      | 4           | 12          | 92           | 130          | 1/85.25        | 800                             | 350                             | 800           | 350           |

| 型号            | 步距角            | 相数          | 电压          | 电流           | 电阻           | 减速比            | 空载运行频率                          | 空载起动频率                          | 起动转矩          | 锁定转矩          |
|---------------|----------------|-------------|-------------|--------------|--------------|----------------|---------------------------------|---------------------------------|---------------|---------------|
| Model         | Step Angle (°) | No.of phase | Voltage (V) | Current (mA) | Resistan (Ω) | Moderati Ratio | No-load pullout Frequency (pps) | No-load pullout Frequency (pps) | Pullin Torque | Detent Torque |
| OE15BYHJ01    | 18/150         | 2           | 5           | 420          | 12           | 1/150          | 1000                            | 800                             | 450           | 2500          |
| OE25BYHJ05-01 | 7.5/5          | 2           | 2.6         | 520          | 5            | 1/5            | 400                             | 340                             | 75            | 450           |
| OE25BYHJ05-02 | 7.5/5          | 2           | 3.5         | 364          | 9.6          | 1/5            | 450                             | 420                             | 100           | 500           |
| OE25BYHJ10-01 | 7.5/10         | 4           | 2.8         | 466          | 6            | 1/10           | 600                             | 550                             | 200           | 1400          |
| OE25BYHJ30-01 | 7.5/30         | 4           | 13.3        | 110          | 120          | 1/30           | 720                             | 680                             | 750           | 1400          |
| OE35BYHJ01    | 7.5/19         | 4           | 24          | 218          | 110          | 1/19           | 500                             | 400                             | 1710          | 2280          |
| OE35BYHJ03    | 7.5/25         | 4           | 12          | 255          | 47           | 1/25           | 550                             | 400                             | 1500          | 3500          |
| OE42BYHJ01    | 7.5/24         | 4           | 12          | 445          | 27           | 1/24           | 400                             | 380                             | 1600          | 2500          |
| OE35BYHJ08    | 7.5/8.4        | 4           | 12          | 400          | 30           | 1/8.4          | 520                             | 380                             | 840           | 1150          |
| OE35BYHJ19    | 7.5/19         | 4           | 12          | 400          | 30           | 1/19           | 500                             | 360                             | 1900          | 2600          |
| OE35BYHJ30    | 7.5/30         | 4           | 12          | 400          | 30           | 1/30           | 480                             | 340                             | 3000          | 4100          |
| OE35BYHJ60    | 7.5/60         | 4           | 12          | 400          | 30           | 1/60           | 450                             | 310                             | 6000          | 8200          |
| OE35BYHJ120   | 7.5/120        | 4           | 12          | 400          | 30           | 1/120          | 420                             | 270                             | 12000         | 16400         |

\* It is only representative products listed in the above-mentioned forms.



Fig.5

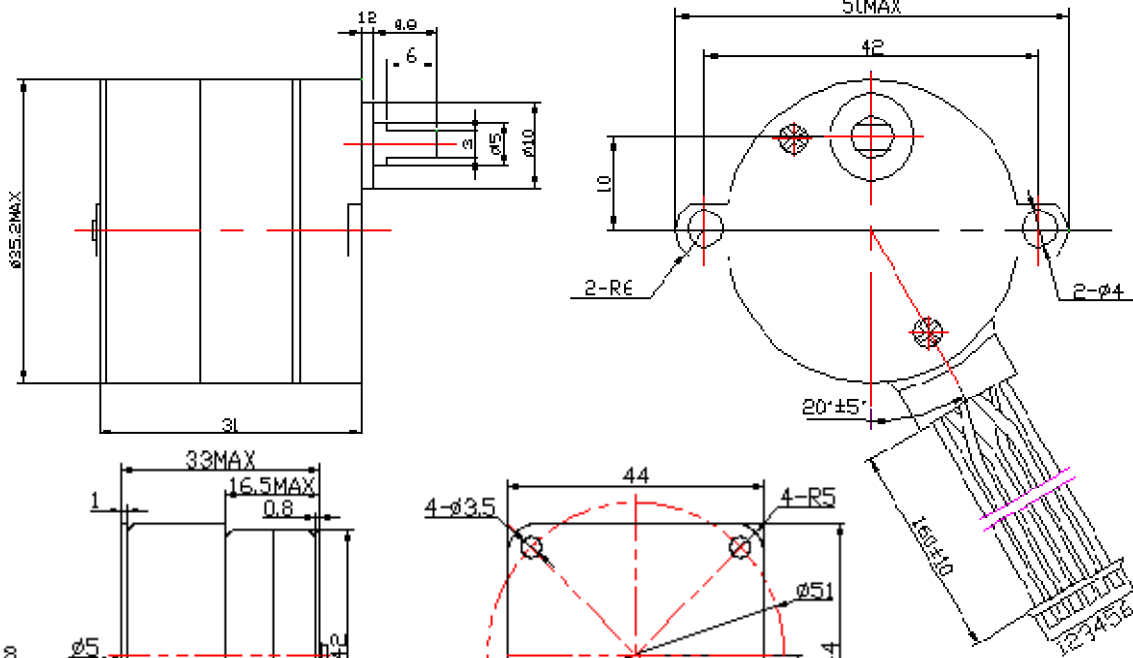


Fig.8

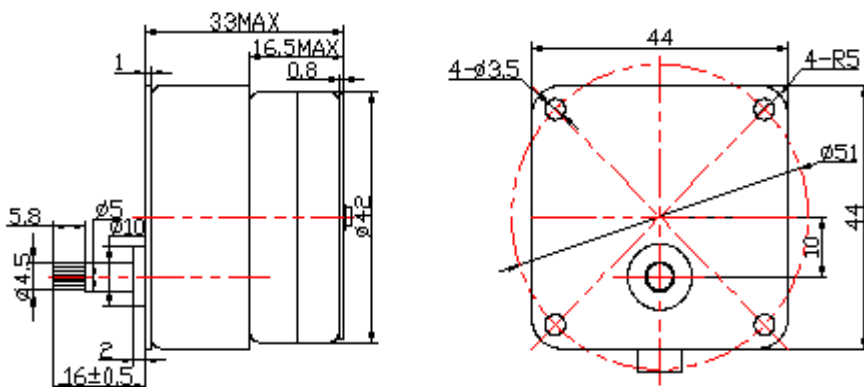


Fig.9

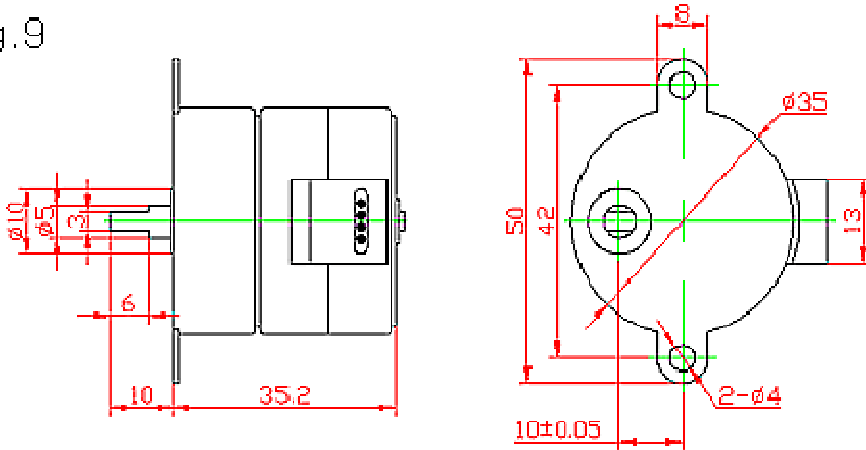


Fig.10

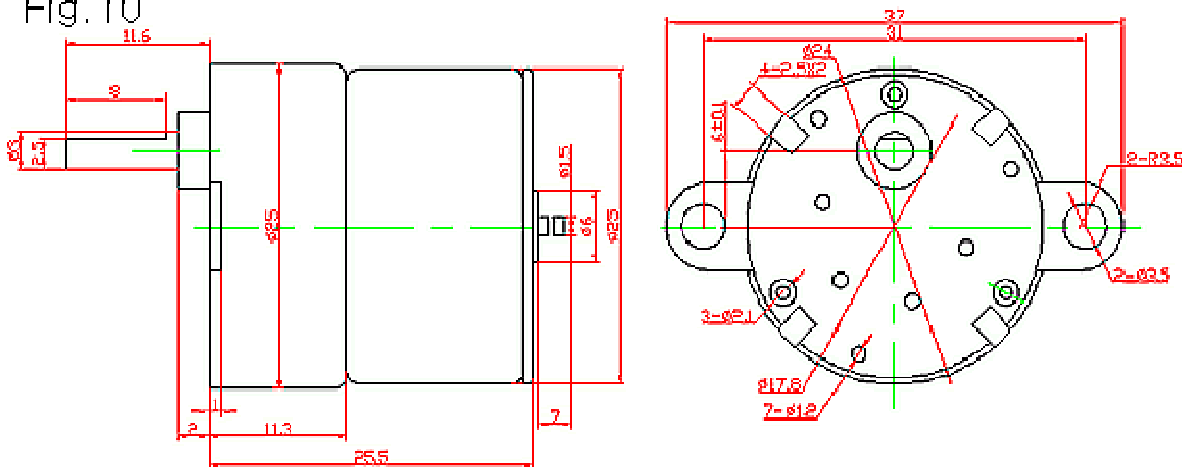


Fig.11

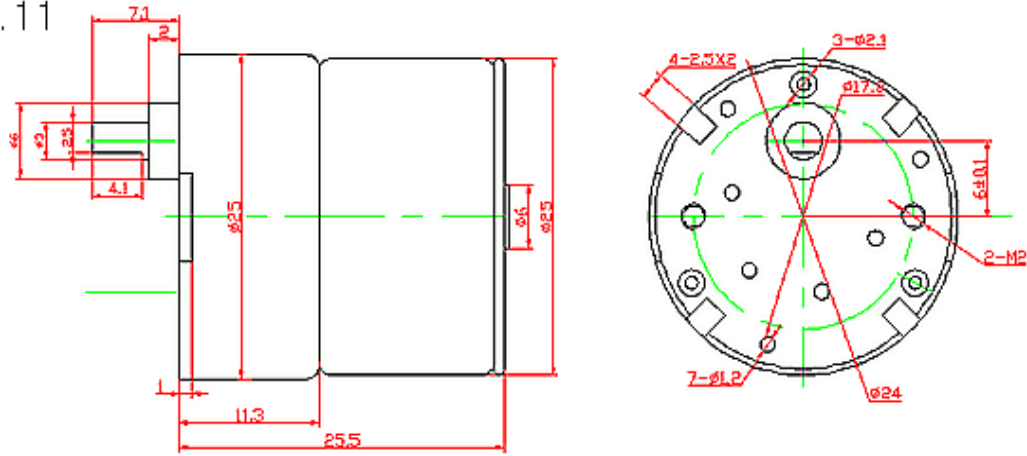
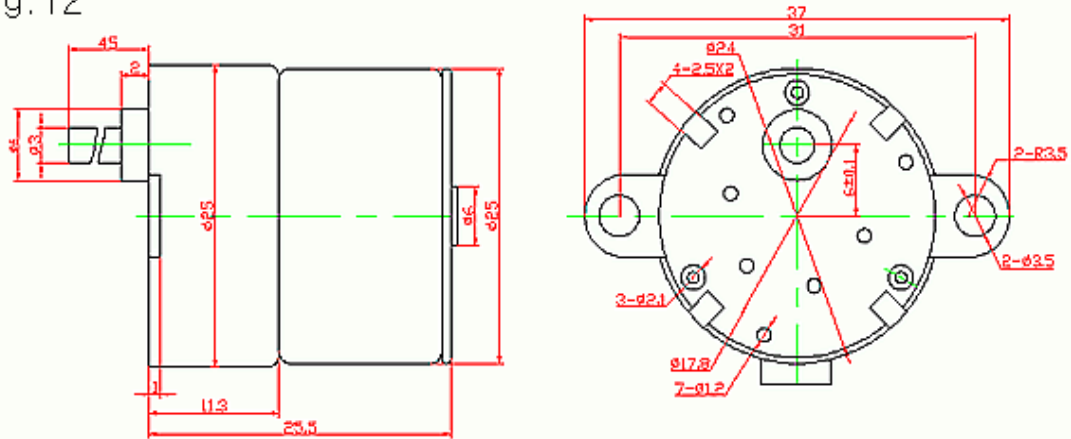
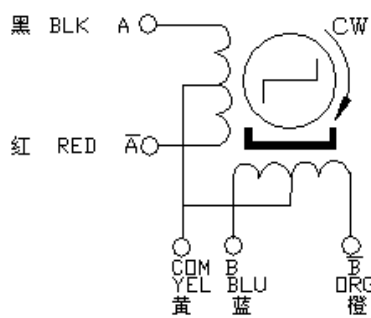


Fig.12

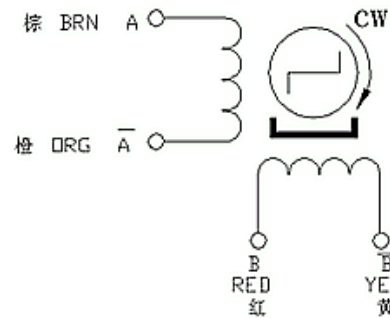


接线图WIRING DIAGRAM :

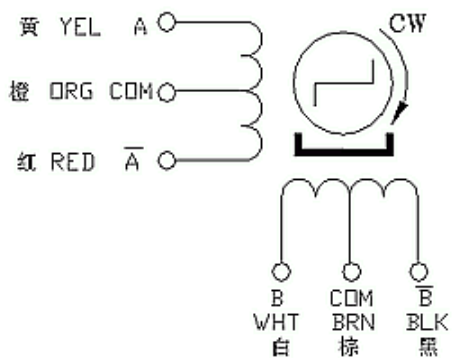
Wdg a



Wdg b



Wdg c



Wdg d

